

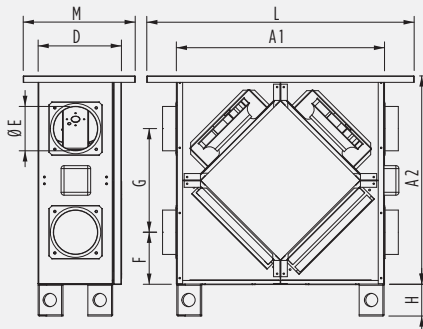
DIMENSIONI

DIMENSIONS

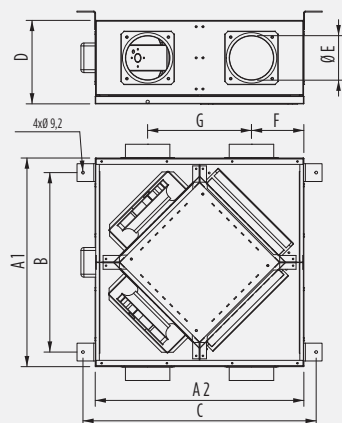
DIMENSIONI / DIMENSIONS [mm]													
MODELLO MODEL	A1	A2	B	C	D	ØE	F	G	H	L	M	Kg H	Kg V
RCE-0500Q-SW-EC	850	850	755	910	380	150	175	500	100	1050	450	55,0	57,0
RCE-0700Q-SW-EC	1000	1000	905	1060	380	150	250	500	100	1200	450	64,0	66,0
RCE-1200Q-SW-EC	1000	1000	905	1060	380	180	250	500	100	1200	450	80,0	86,0
RCE-1600Q-SW-EC	1200	1200	1105	1260	525	250	300	600	100	1450	610	110,0	117,0
RCE-2300Q-SW-EC	1200	1200	1105	1260	525	315	300	600	100	1450	610	124,0	135,0
RCE-2800Q-SW-EC	1350	1350	1255	1410	575	315	300	750	100	1650	670	161,0	167,0
RCE-3200Q-SW-EC	1350	1350	1255	1410	675	315	300	750	100	1650	670	178,0	183,0
RCE-3800Q-SW-EC	1350	1350	1255	1410	675	350	300	750	100	1650	770	188,0	208,0
RCE-4500Q-SW-EC	1350	1350	1255	1410	775	350	300	750	100	1550	850	215,0	245,0
RCE-4900Q-SW-EC	1650	1650	1080	1710	775	350	285	1080	100	1900	850	215,0	245,0
RCE-5400Q-SW-EC	1650	1650	1080	1710	775	350	285	1080	100	1900	850	302,0	340,0
RCE-6500Q-SW-EC	1650	1650	1080	1710	775	450	355	940	100	1900	1000	302,0	340,0
RCE-7100Q-SW-EC	2150	2150	--	2210	1110	600	425	1300	100	2200	1130	500,0	550,0
RCE-8500Q-SW-EC	2150	2150	--	2210	1110	600	425	1300	100	2200	1130	500,0	550,0

**RECUPERATORI DI CALORE CON VENTILATORI CENTRIFUGHI
A SINGOLA ASPIRAZIONE E PALE ROVESCE**
*HEAT RECOVERY UNITS WITH SINGLE INLET,
BACKWARD BLADED FANS*

VERTICALE / VERTICAL
RCE/V

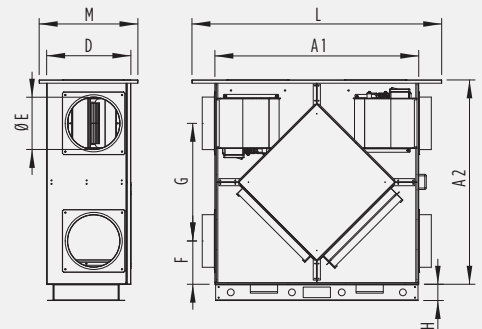


ORIZZONTALE / HORIZONTAL
RCE/H



**RECUPERATORI DI CALORE CON VENTILATORI CENTRIFUGHI
A DOPPIA ASPIRAZIONE E PALE AVANTI**
*HEAT RECOVERY UNITS WITH DOUBLE INLET,
FORWARD BLADED FANS*

VERTICALE / VERTICAL
RCE/V



ORIZZONTALE / HORIZONTAL
RCE/H

