

ACCESSORI TORRINI CENTRIFUGHI

CENTRIFUGAL ROOF FANS ACCESSORIES

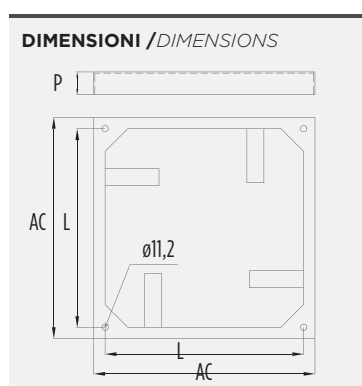
CONTROBASE A MURARE

BACKPLATE FOR CONCRETE



Telaio in lamiera zincata per il fissaggio dei torrini su superfici in cemento. Il telaio deve essere murato con la superficie di cemento stessa.

Galvanized steel frame designed to be bound to concrete surfaces using cement (or the like). It is used to fix a roof fan to the concrete surface itself.



CODICE - CODE	MODELLO - MODEL	TAGLIA - SIZE	DIMENSIONI - DIMENSIONS [mm]			PESO - WEIGHT [Kg]
			AC	L	P	
7999954	CB05-20	05-20	390	350	40	0,80
7999952	CB30-40	30-40	550	460	40	1,60
7999951	CB50-60	50-60	700	610	40	2,00
7999950	CB70	70	890	800	40	3,00
7999949	CB80-100	80-100	890	800	45	3,20
7999953	CB110-120	110-120	1190	1100	50	6,80
7999947	CB-VULK	-	340	340	25	0,80

CUPOLE

WEATHERING COVERS

Cupola protettiva in polimero termoplastico (ABS).

A protective cover made of thermoplastic polymer (ABS).

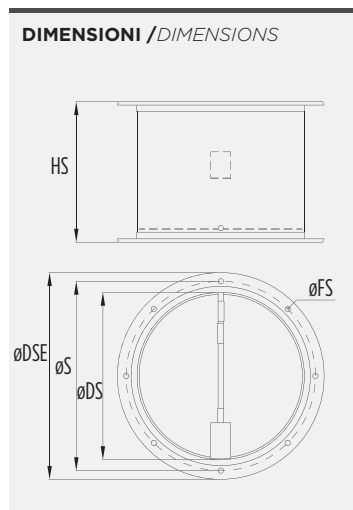
CODICE - CODE	MODELLO - MODEL	COMPATIBILITÀ - COMPATIBILITY	TAGLIA - SIZE	PESO - WEIGHT
				[Kg]
3999972	CUPABS_TN_05-20	TN	05 - 20	0,10
3999970	CUPABS_TN_30-40	TN	30 - 40	0,10
3999969	CUPABS_TN_50-60	TN	50 - 60	0,20
3999968	CUPABS_TN_70-100	TN	70 - 100	0,20
3999971	CUPABS_TN_110-120	TN	110 - 120	0,20
3999479	CUPABS_TNE_400-500	TNE	400 - 500	0,20
3999478	CUPABS_TNE_560-710	TNE	560 - 710	0,20
3999477	CUPABS_TNE_800-1000	TNE	800 - 1000	0,20
3999967	CUPABS_TN-SP_05-20	TN-SP	05 - 20	0,20
3999966	CUPABS_TN-SP_30-40	TN-SP	30 - 40	0,30
3999965	CUPABS_TN-SP_50-60	TN-SP	50 - 60	0,30
3999964	CUPABS_TN-SP_70-100	TN-SP	70 - 100	0,10

SERRANDE A GRAVITÀ GRAVITY SHUTTERS



Per impedire il reflusso di aria o l'infiltrazione di acqua piovana quando un torrino è spento. Forma circolare.

For preventing backdraught air or rain penetration when the unit is not in operation. Circular shaped.



CODICE CODE	MODELLO MODEL	COMPATIBILITÀ COMPATIBILITY	TAGLIA SIZE	DIMENSIONI - DIMENSIONS [mm]					PESO WEIGHT [Kg]
				Ø DS	Ø S	Ø DSE	Ø FS	HS	
7999778	SG-TN 05	TN, TNV, TN/SP, TN-VAT	05	200	235	259	3x8M	150	1,10
7999783	SG-TN 20	TN, TNV, TN/SP, TN-VAT	20	250	283	309	3x8M	210	1,80
7999780	SG-TN 30	TN, TNV, TN/SP, TN-VAT	30	300	330	359	3x8M	210	2,60
7999779	SG-TN 40	TN, TNV, TN/SP, TN-VAT	40	350	381	409	4x8M	230	3,40
7999777	SG-TN 50	TN, TNV, TN/SP, TN-VAT	50	400	431	460	4x8M	250	4,20
7999776	SG-TN 60	TN, TNV, TN/SP, TN-VAT	60	450	485	510	5x8M	300	5,00
7999775	SG-TN 70	TN, TNV, TN/SP, TN-VAT	70	500	533	560	5x8M	300	5,80
7999774	SG-TN 80	TN, TNV, TN/SP, TN-VAT	80	550	585	620	6x8M	320	6,60
7999773	SG-TN 90-100	TN, TNV, TN/SP, TN-VAT	90-100	600	636	661	7x8M	320	7,30
7999785	SG-TN 110	TN, TNV, TN/SP, TN-VAT	110	640	690	720	6x8M	360	12,80
7999784	SG-TN 120	TN, TNV, TN/SP, TN-VAT	120	715	770	795	6x8M	400	16,50

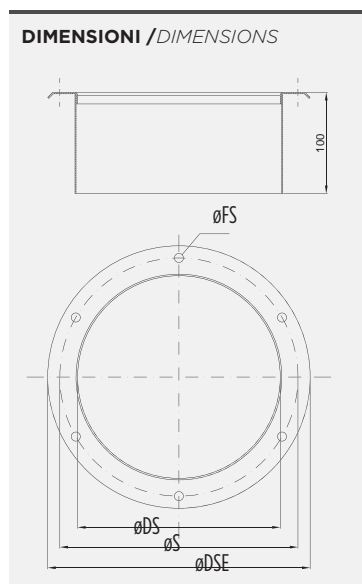
FLANGE PER CONDOTTI CIRCOLARI

MATING FLANGES FOR CIRCULAR DUCTS



Flangia usata per il fissaggio di un condotto circolare alla bocca aspirante di un torrino.

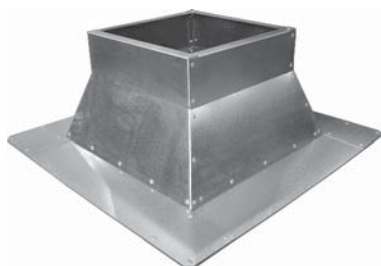
A flange used to connect a circular duct with the suction side of a roof fan.



CODICE CODE	MODELLO MODEL	COMPATIBILITÀ COMPATIBILITY	TAGLIA SIZE	DIMENSIONI - DIMENSIONS [mm]				PESO WEIGHT [Kg]
				$\varnothing DS$	$\varnothing S$	$\varnothing DSE$	$\varnothing FS$	
3999439	FC-TN 05	TN, TNV, TN/SP, TN-VAT	05	200	235	259	3x8M	0,10
3999099	FC-TN 20	TN, TNV, TN/SP, TN-VAT	20	250	283	309	3x8M	0,10
3999286	FC-TN 30	TN, TNV, TN/SP, TN-VAT	30	300	330	359	3x8M	0,20
3999440	FC-TN 40	TN, TNV, TN/SP, TN-VAT	40	350	381	409	4x8M	0,20
3999098	FC-TN 50	TN, TNV, TN/SP, TN-VAT	50	400	431	460	4x8M	0,20
3999444	FC-TN 60	TN, TNV, TN/SP, TN-VAT	60	450	485	510	5x8M	0,20
3999441	FC-TN 70	TN, TNV, TN/SP, TN-VAT	70	500	533	560	5x8M	0,20
3999443	FC-TN 80	TN, TNV, TN/SP, TN-VAT	80	550	585	620	6x8M	0,20
3999442	FC-TN 90-100	TN, TNV, TN/SP, TN-VAT	90-100	600	636	661	7x8M	0,20
3999097	FC-TN 110	TN, TNV, TN/SP, TN-VAT	110	640	690	720	6x8M	0,30
3999096	FC-TN 120	TN, TNV, TN/SP, TN-VAT	120	715	770	795	8x8M	0,30

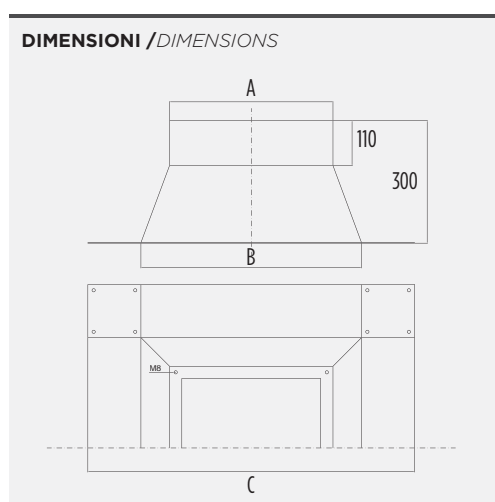
TELA DI RIALZO PER SUPERFICI PIANE

RIISING FRAME FOR FLAT SURFACES



Telaio di rialzo per superfici piane (purling box), internamente rivestito con materiale isolante.

Rising frame for flat surfaces (purling box) internally clad with noise reduction material.



CODICE CODE	MODELLO MODEL	COMPATIBILITÀ COMPATIBILITY	TAGLIA SIZE	DIMENSIONI - DIMENSIONS [mm]			PESO WEIGHT [Kg]
				A	B	C	
3199874	PB-TN 05-20	TN, TNV, TN/SP, TN-VAT	05 - 20	400	540	800	9,4
3199873	PB-TN 30-40	TN, TNV, TN/SP, TN-VAT	30 - 40	560	700	960	12,2
3199872	PB-TN 50	TN, TNV, TN/SP, TN-VAT	50	710	850	1110	14,8
3199871	PB-TN 60	TN, TNV, TN/SP, TN-VAT	60	900	1040	1300	18,2
3199870	PB-TN 70-100	TN, TNV, TN/SP, TN-VAT	70-100	1200	1340	1600	23,5